

**ENGLISH**

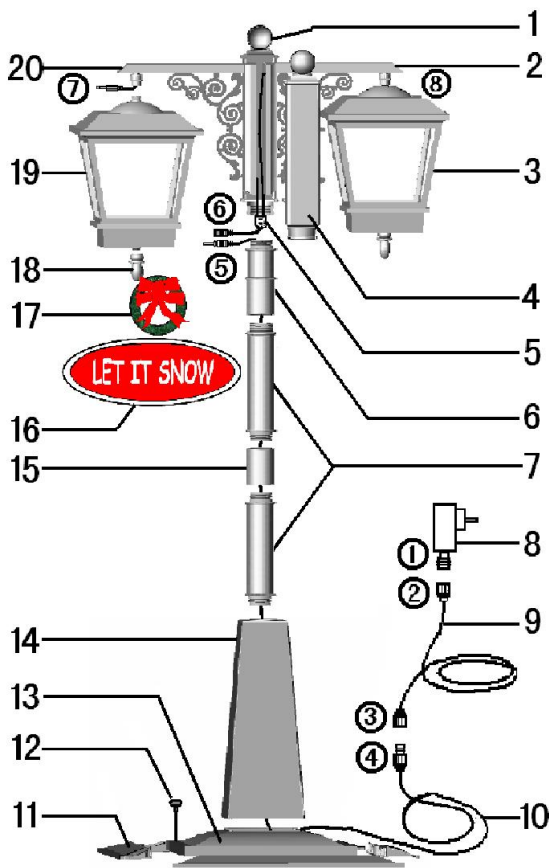
Snowing Street Lamp

# Assembly Manual

## Caution

- This product (especially the lamp holder) is fragile, do not exert too much strength or drop it during the assembly and use. Be sure to fix it on the wall securely.
- This product is waterproof; but it is necessary to keep the lamp in the vertical direction to ensure water drains correctly.
- Please assemble it in strict accordance with the steps and requirements specified in the instruction to ensure safety and reliability during the installation.

### 1) Schematic diagram



### 2) Component list

No.	Name	Quantity
1	Firmware (rear part)	1
2	L-shape support (right)	1
3	Lamp holder (right)	1 set
4	Firmware (front part)	1
5	Y-shaped connection wire	1 set
6	Short lamp-post (6.5in)	1 set
7	Long Lamp-post (17in)	2
8	Adapter (12V AC 1000mA)	1
9	Extended wire (137in)	1

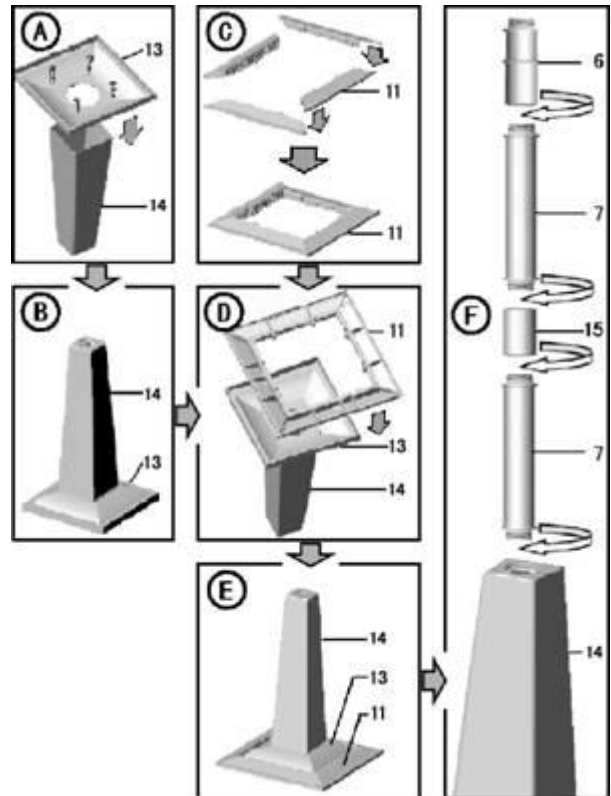
10	Power wire (137in) (59in lamp-post , 79in out of lamp-post)	1
11	Additional base	1 set (4)
12	Ground nail	1 set (4)
13	Lamp base	1
14	Square base	1
15	Connector of long lamp-post (2.5in)	1
16	Brand	1
17	Wreath + bowknot	1 set
18	Lamp pendant	2
19	Lamp holder (left)	1 set
20	L-shaped support (left)	1
21	Screw	6+1 (Firmware) 4+1 (Lamp base)

Note: 1,2,3,4,5,6,7,8 are wire connectors

### 3) Installation steps

The assembly shall be made from bottom to top, and the main steps are shown as below:

#### 1. Installation of lamp base and lamp-post



(see series figures A-F above)

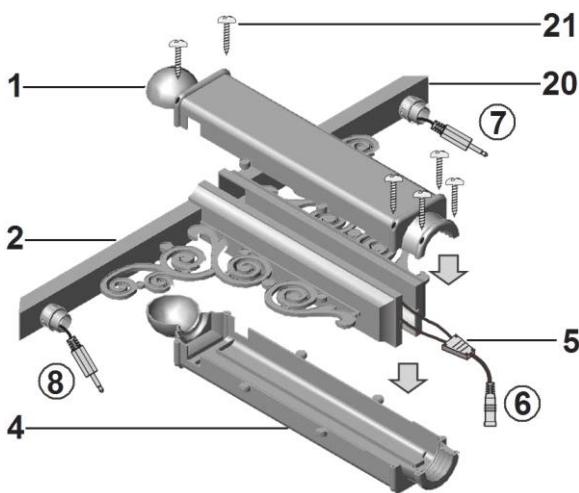
**A/B:** Use 4 screws to combine the lamp base (13) with square base (14).

**C/D/E:** In order to stabilize the street lamp, it is required to combine with the additional base. Firstly, it is required to combine 4 pieces of additional base (11) as a whole, and then combine the whole additional base (11) with lamp base (13). **Note:** If the lamp is used outdoor and the lamp base can be fixed via ground nail, it will be unnecessary to use the additional base (11).

**F:** Installation of lamp post. Screw all lamp posts, connector of long lamp post and square bases (6), (7), (15) and (14) according to the sequence shown in above figure. **Note:** Each screw thread must be tightly screwed; otherwise the lamp post will incline or loosen.

## 2. Combination of lamp support

Fasten two L-shaped supports (2)(20) as a whole via two firmware (1)(4) according to the figure and description below:



Place the firmware (front part) (4) on console flatly, with opening upwards; and then put left and right L-shaped support (2)(20) in the troughs of firmware (4), and then bury Y-shaped connection wire (5) and its connector (6) according to the figure, and then use the firmware (rear part) (1) to cover the above mentioned parts and adjust the matching state of each part, and finally fasten each part as a whole lamp support via 6 small screws.

## 3. Combination: lamp post + lamp support + lamp holder

(See series figures A -E as right)

**A. Threading:** penetrate the power wire and its connector (5) in the lamp base through square base and lamp post (In order for convenience, the lamp base and lamp post can be horizontally or vertically placed upon threading, so as to draw out the connector (5) and place it correctly for later use);

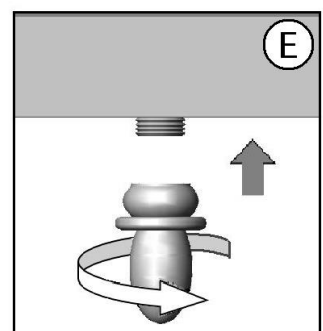
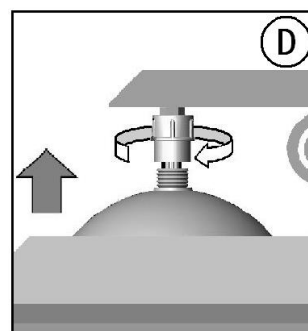
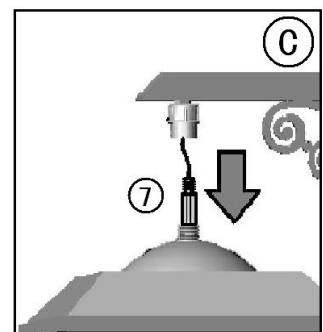
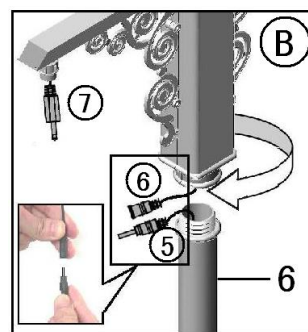
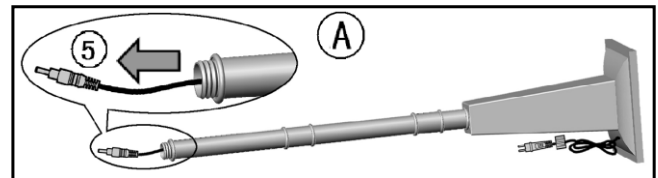
**B. Assembly of lamp support:** Connect the connectors (5) and (6) of the wires, and put the combined connectors and their wires into lamp post (6), and then screw the lamp support and fix it on lamp post (6). **Note:** it is required to screw the thread as much as possible and adjust the direction of lamp support so that its direction is consistent with that of lamp base.

**C. Assembly of lamp holder:** Take out of lamp holder (3) or (19), and then install it at left (or right) of lamp support according to individual's willing, and then insert the plug (7) (or 8) into the jack at top of lamp holder.

**D.** Lift the lamp holder upwards so that the upper part of plug (7) and its connection wire can enter into the hole of L-shape support, and then turn the fix nut to let it tightly fit the thread of the upper part of the lamp holder until the lamp holder and lamp support become a whole; meanwhile, notice to adjust the direction of lamp holder till the satisfaction. **Note: a.** The fixed nut must be tightly screwed, otherwise, the waterproof effect will be seriously affected! **b.** The lamp holder is fragile, and the damage resulting from falling on ground is forbidden! **c.** When there is only one lamp holder at two ends of lamp support, the lamp post may incline due to imbalanced stress; therefore, it is required to stabilize the lamp post before installation of the second lamp holder; at this time, it will be better to ask another person to assist the installation.

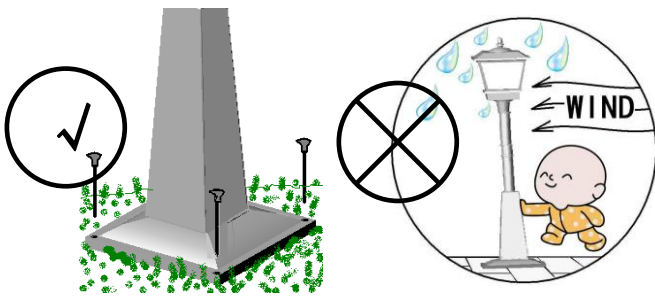
Repeat the above mentioned C/D step to complete the installation of the second lamp holder.

**E.** Install the two lamp pendants (18) for decoration on the lower part of lamp holder.



## 4. Positioning, power-on, waterproof and examination

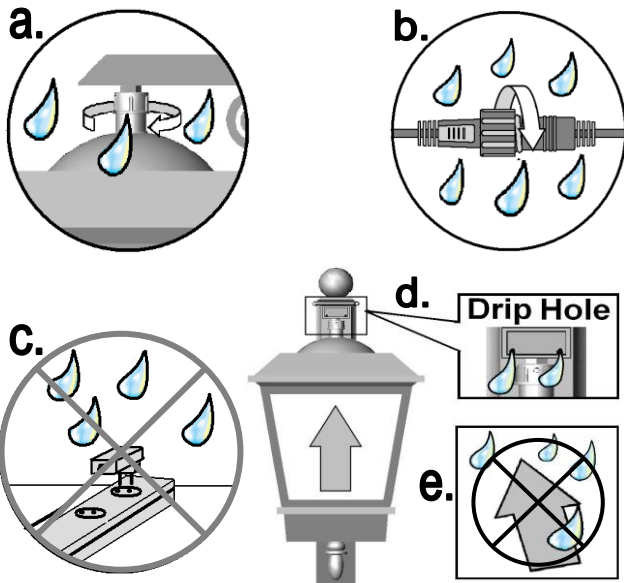
**A. Positioning:** Place the street lamp modules at the position arranged. **Note: a.** If the street lamp are placed outdoor, please adopt the ground nail (12) to fix the lamp base as much as possible to avoid being blown down by wind; **b.** The street lamp shall be placed in place without disturbance, so as to avoid the damage due to knockdown.



**B. Power-on:** Tightly connect the connectors (1) and (4) of adapter (8) and power wire (10). If the power wire (10) is not long enough, extended wire (9) between them and then connect the adapter and main power.

**C. Waterproof:** If the street lamp is used outdoor, please complete the below (see series figures a-e):

- Please screw the nut at top of lamp holder tightly; otherwise this will affect the item from being waterproof.
- All connection points 1 and 2, 3 and 4, 5 and 6, 7 or 8 and lamp holder must be screwed tightly to avoid water and electricity leakage.
- The adapter itself is not waterproof, and it is required that the connecting point between adapter and main power should be located indoors, free from rain and snow to avoid the electricity leakage or electric shock risk.
- The two ends of lamp support are arranged with drip hole, and this hole should be unobstructed.
- The lamp holder should be kept vertical and avoid inclined to ensure the waterproof effect.



**D. Examination:** The bottom of each lamp holder is arranged with a switch (as shown below). One of the lamp holders can play music, and the music is controlled by its switch (left figure); when the switch is placed on the left. You should be able to see the shining light and snowflakes falling in this lamp holder, with music playing. If the above-mentioned isn't functioning, check whether all connecting points 1 and 2, 3 and 4, 5 and 6, 7 or 8 are connected well with its lamp holder. You can also place this switch at right to close music according to your own demand. A similar lamp holder has the same function as

the above lamp holder except that it cannot play music. The below switch function is shown on the right.



### 5. Decorate and enjoy

As shown in the figure below, arrange the plaque (16) and the wreath + bowknot (17) to the upper side of the lamp post to complete installation. If the street lamp is to be installed outside, the decorations do not have to be installed.

