

# HANOVER<sup>®</sup>

## Telescopic stand

Model Number: 9711072



### **ASSEMBLY & OPERATING INSTRUCTIONS**

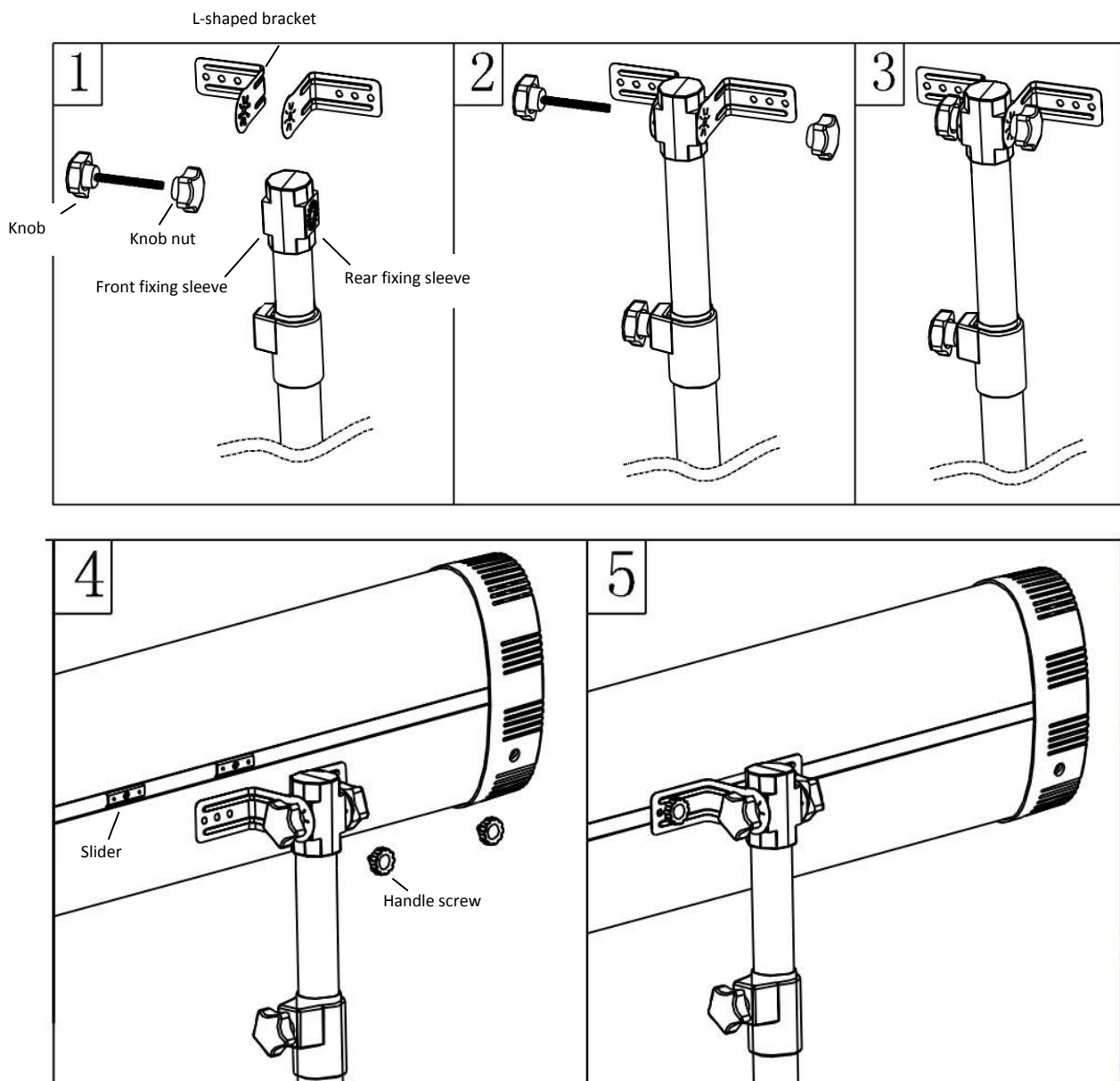
Please read carefully and save these instructions

## Description

-The tripod is used to mount models 9711031, 9711041, 9711051, 9711052.

-The height can be set from 3.6' to 5.9' (1.10 m to 1.80 m).

## Assembly Instructions



1) Parts that will be used for assembly are: tripod, knob screw, knob nut, L-shaped brackets.

2) The L-shaped bracket is attached to the front fixing sleeve and the rear fixing sleeve as shown in Fig. 2. The knob screw is attached through the 4 combined holes of the L-shaped bracket to front fixed sleeve and rear fixed sleeve. After the knob nut is tightened, it will look like as shown in Figure 3.

3) Unscrew the 2 pcs handle screw that are on the heater, as shown in Figure 4 and move the 2 piece slider to the center of the heater. Position the assembled bracket, and then pass the handle screw through the L-bracket. Tighten with the slider, as shown in Figure 5.