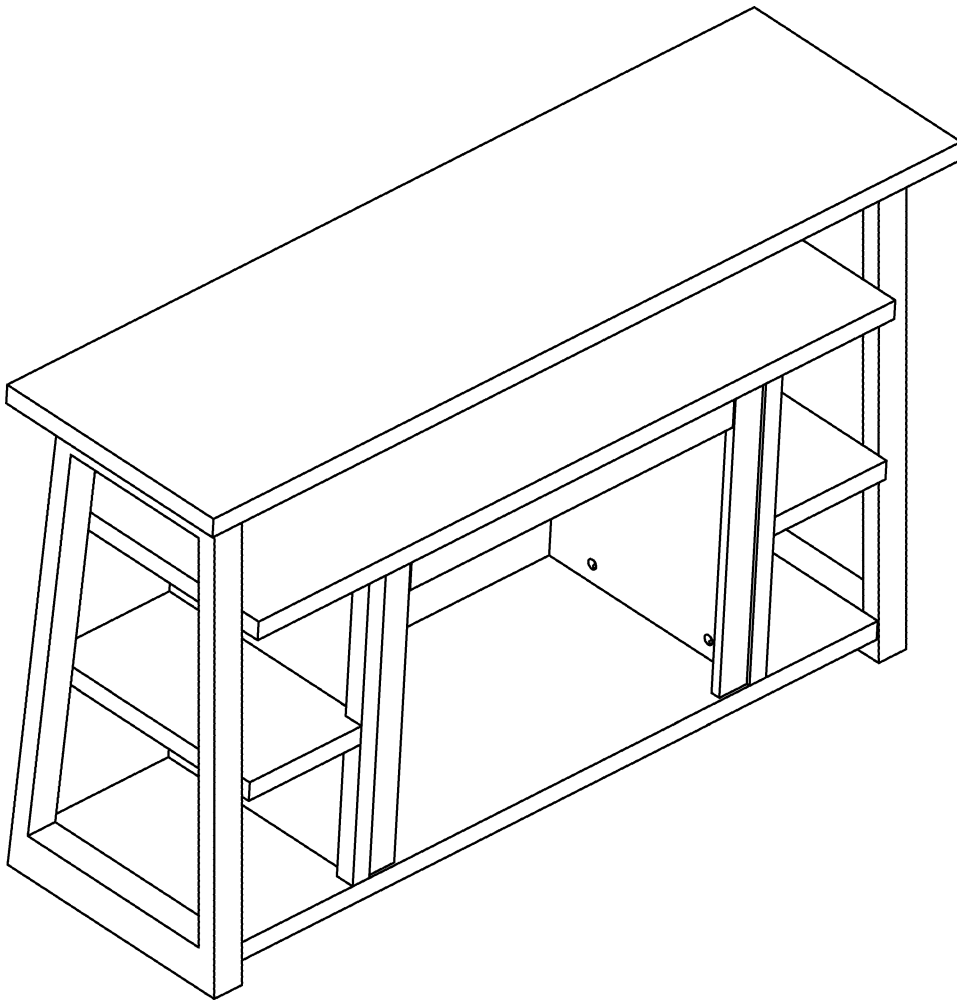
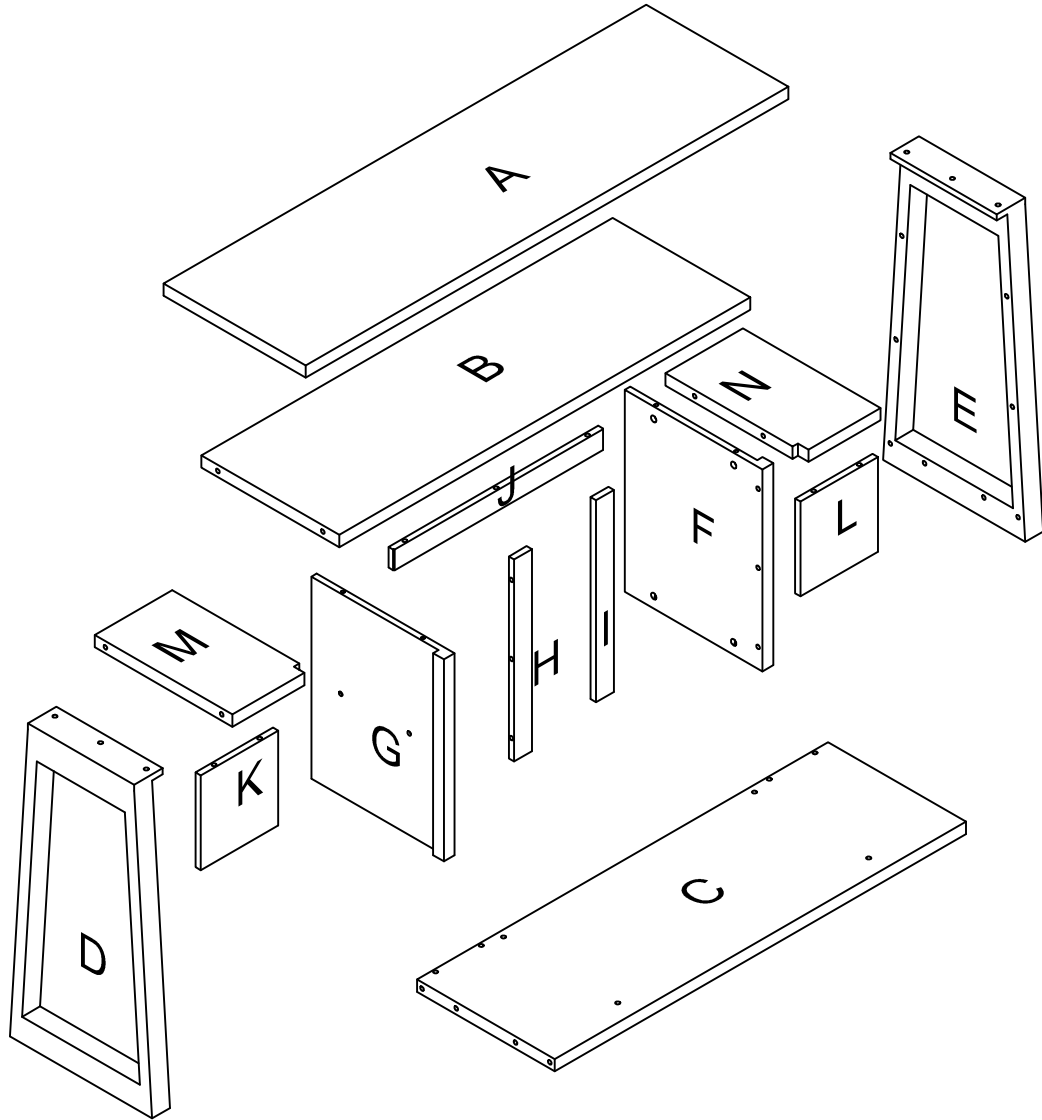


MANTEL

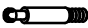




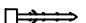



CAM5332-****



PACKAGE CONTENTS



PACKAGE CONTENTS

- | | | | | | |
|---|---|---|---|---|-------------|
| (AA) | (BB) | (CC) | (DD) | (SS) | |
|  |  |  |  |  | X2 |
| Bolt
Qty.25 | Metal
Connector
Qty.25 | Screw
M6*25
Qty.6 | Wooden
Dowel
Qty.20 |  | X2 |
| | | | |  | X2 |
| | | | |  | X2 (4*35MM) |
| | | | |  | X2 (4*15MM) |
| | | | | Safety Chain Qty.1 Set | |

PACKAGE CONTENTS

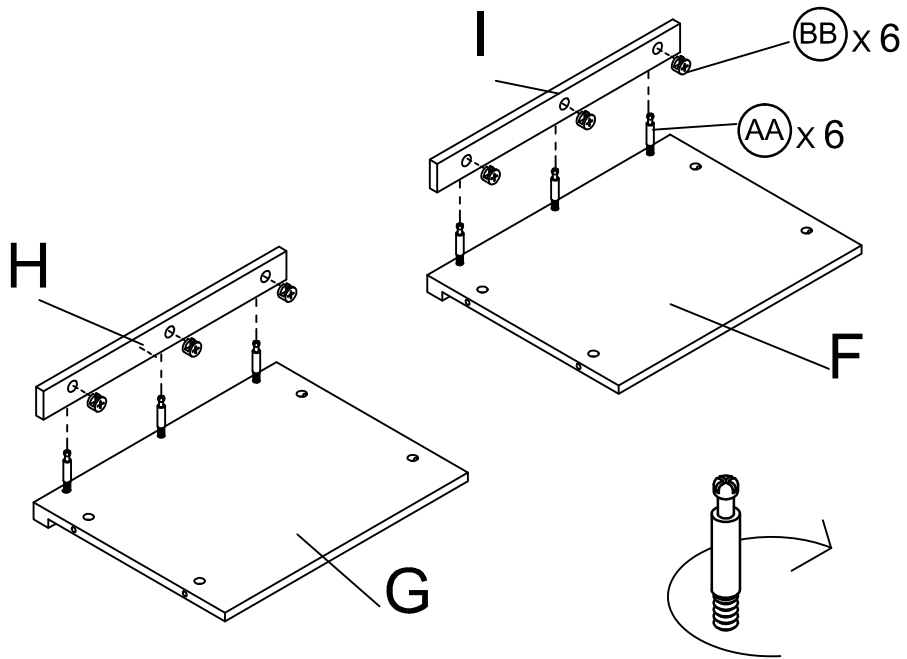
PART	DESCRIPTION	QTY.	PART NO.
A	Top	1	
B	Uper Shelf	1	
C	Base	1	
D	Left Side Panel	1	
E	Right Side Panel	1	
F	Right Innerside Panel	1	
G	Left Innerside Panel	1	
H	Left Firetrim Panel	1	
I	Right Firetrim Panel	1	
J	Uper Firetrim Panel	1	
K	Left Back	1	
L	Right Back	1	
M	Left Shelf Panel	1	
N	Right Shelf Panel	1	
AA	Bolt	25	
BB	Metal Connector	25	
CC	M6*25 Screw	6	
DD	Wooden Dowel	20	
SS	Safety Chain	1 Set	

Some parts and specifications may change without notice.

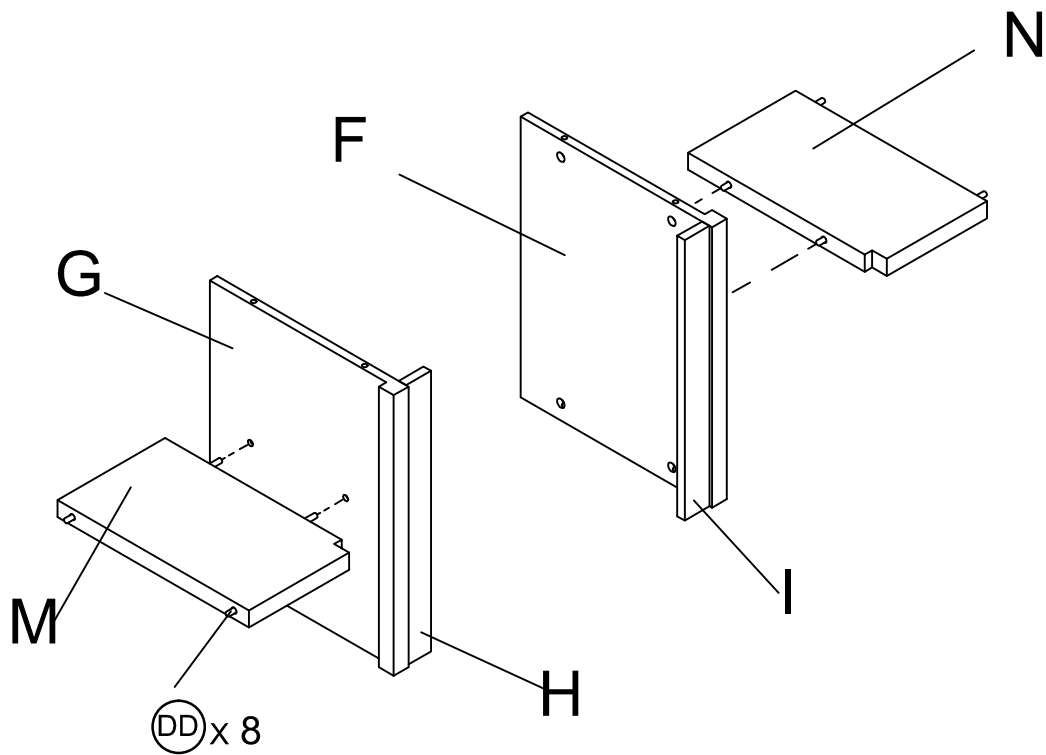
Carefully remove all pieces from the carton and make sure that you have all parts listed (refer to parts list on page 2-3)

PACKAGE CONTENTS

1.

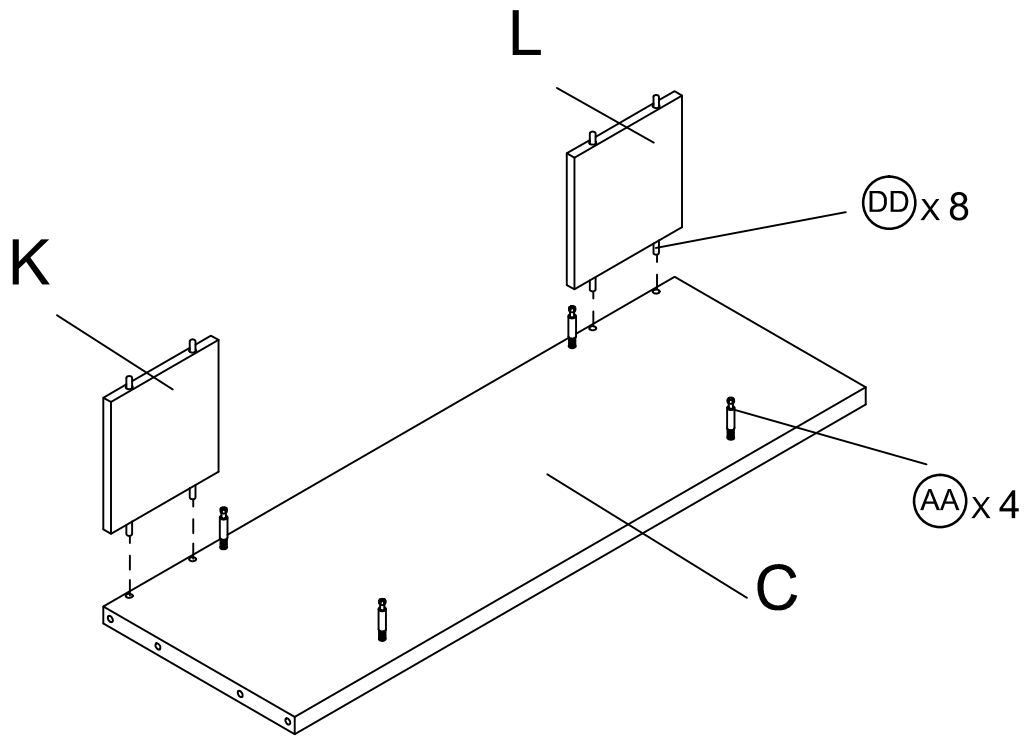


2.

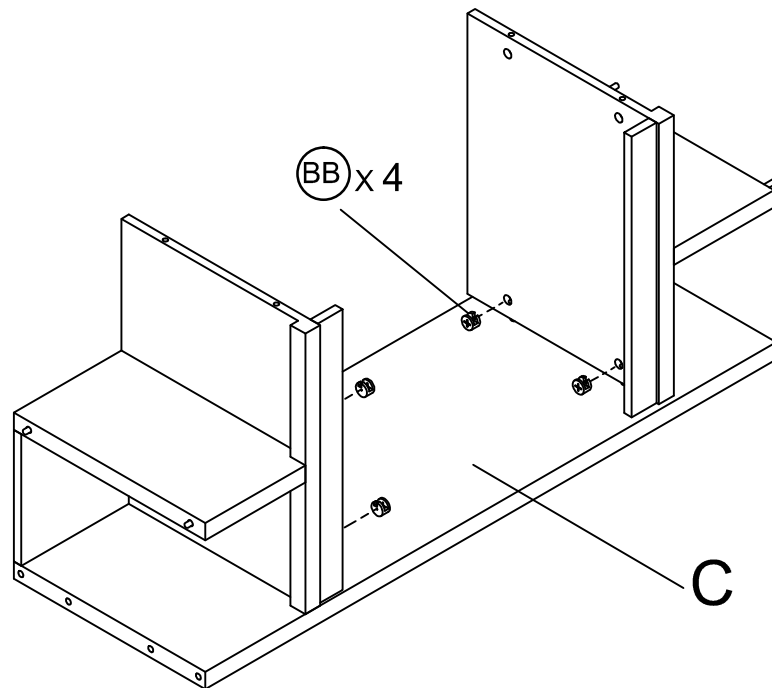


PACKAGE CONTENTS

3.

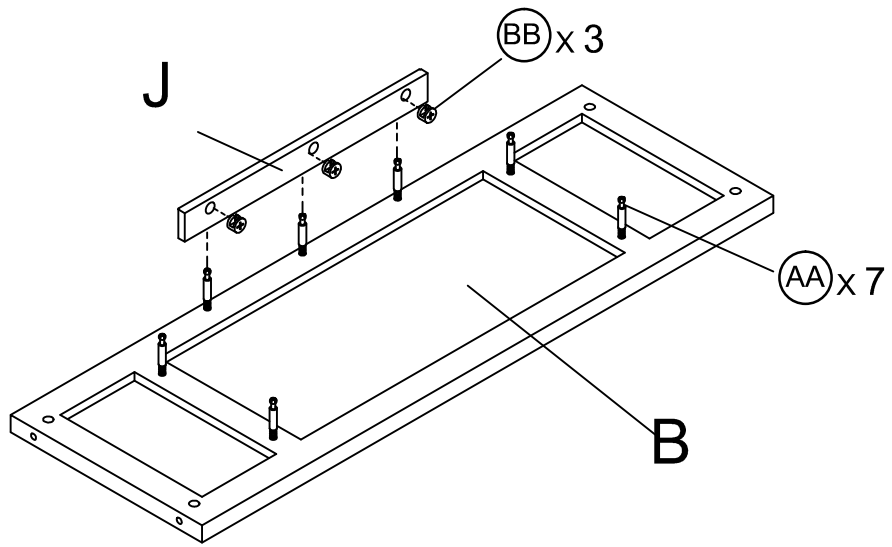


4.

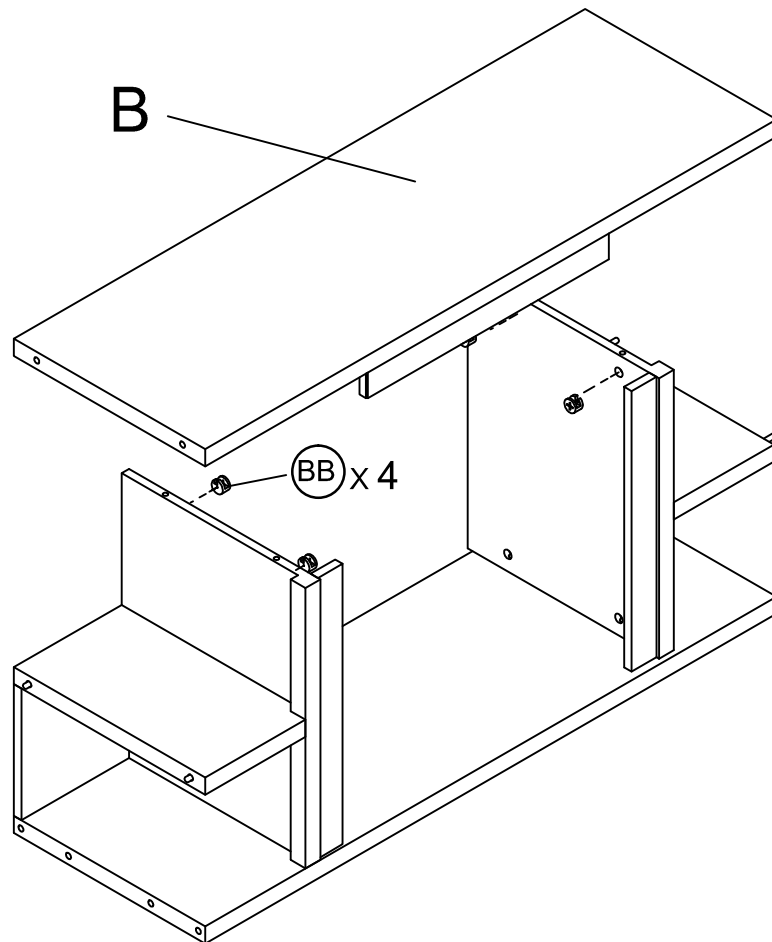


PACKAGE CONTENTS

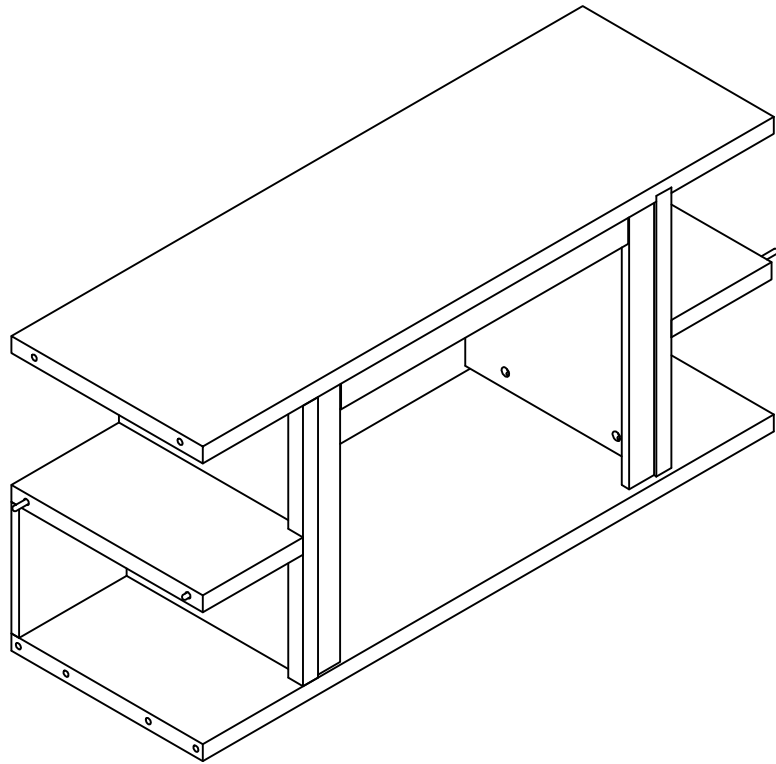
5.



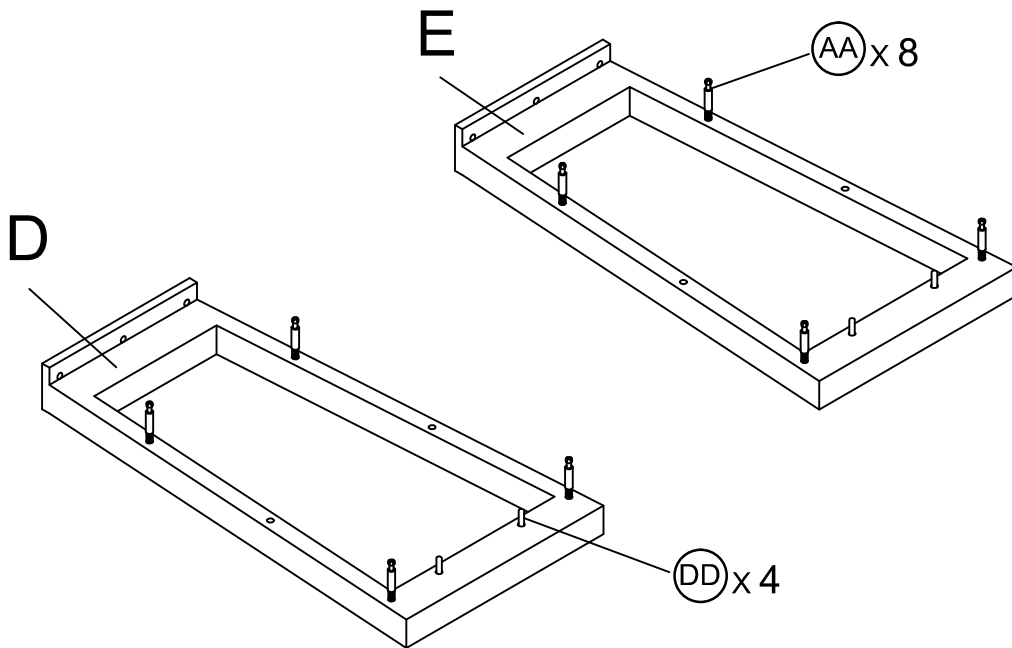
6.



PACKAGE CONTENTS

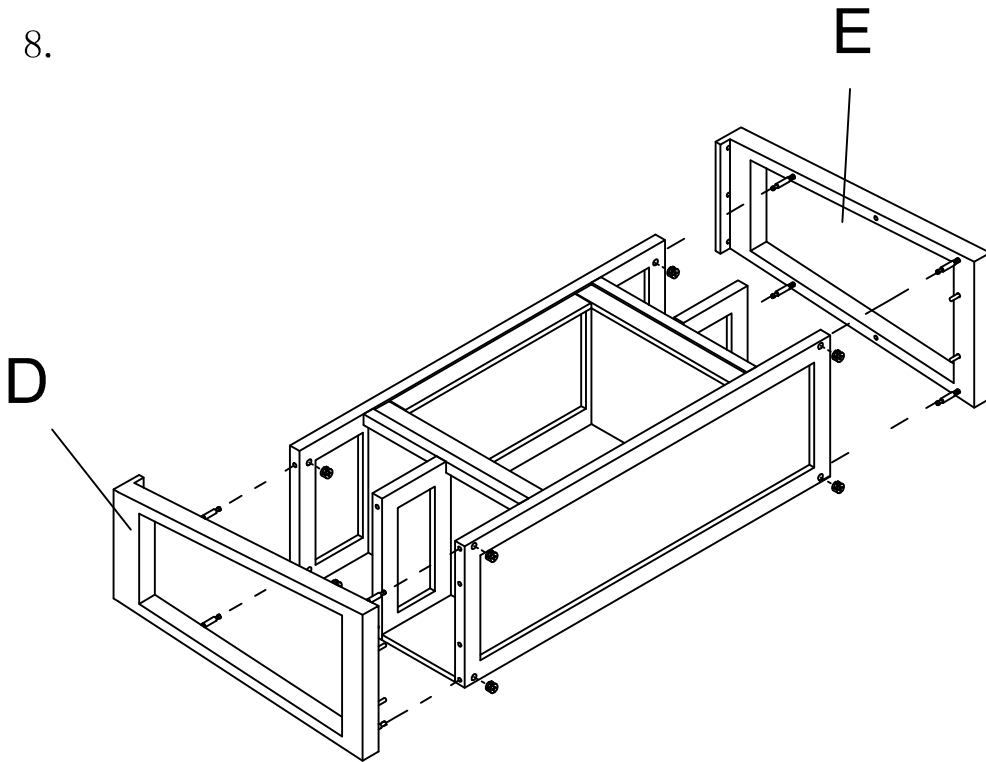


7.



PACKAGE CONTENTS

8.



9.

