

Assembly Instructions

DESCRIPTION: BENCH WITH PADDED SEAT

Caution: Please read instructions thoroughly before unpacking assembly parts. Sharp, exposed staple tips can cause injury, therefore, for your protection, please remove any exposed staples used in packing.

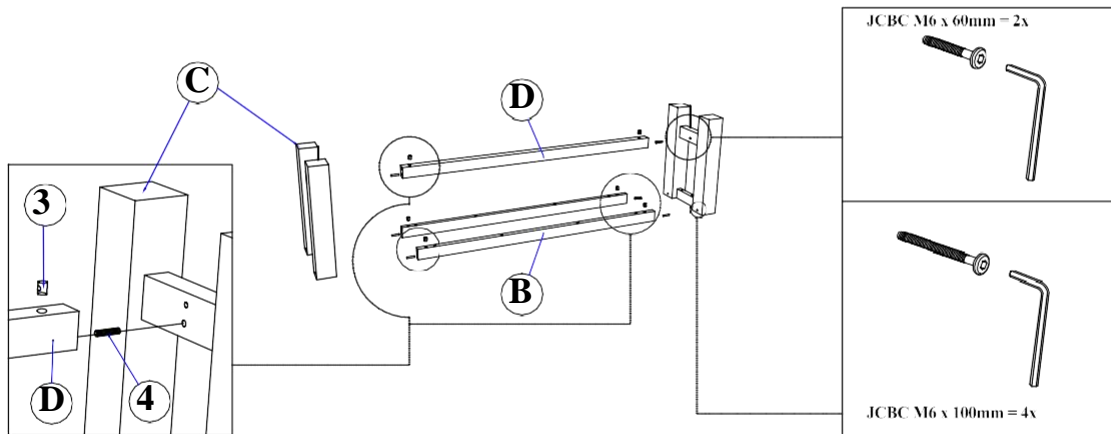
1. We recommend that you assemble this product with the assistance of another person; this will make assembly easier, and will help to eliminate damage to the product or injury to persons during assembly.
2. Be sure to check all packing materials carefully for small parts that may have come loose inside the carton during shipment.
3. Please do not over tighten screws or bolts.
4. Please put all parts on a non-abrasive floor before assembly and follow the assembly step to assemble your newly purchased product correctly and efficiently.

PART LIST			
NO	PART DESCRIPTION	CODE	QTY
A	PU PADDED SEAT	BNSEA	1
B	APRON	BNBST	2
C	LEG	BNLEG	2
D	BOTTOM STRETCHER	BNSTR	1

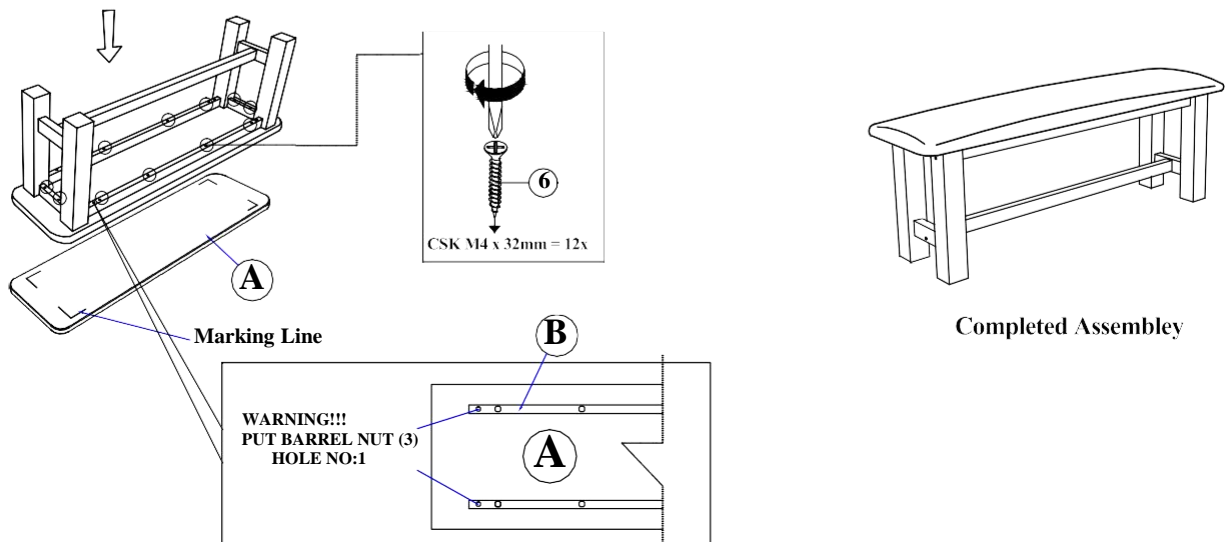
NO.	HARDWARE LIST	QTY
1	m6x60mm Blk	2
2	m6x100mm Blk	4
3	Barrel Nut M6	6
4	Wood Dowel 8 x 30mm	6
5	m4x110mm Blk	1
6	M4 x 32mm	12

HARDWARE LOCATED IN BENCH BOX

STEP 1



STEP 2: Fasten the CSK screw (6) according to the marking line behind seat (A).










Assembly Instructions for Chair

Caution : Please read instructions thoroughly before unpacking assembly parts. Sharp, exposed staple tips can cause injury, therefore, for your protection, please remove any exposed staples used in packing.

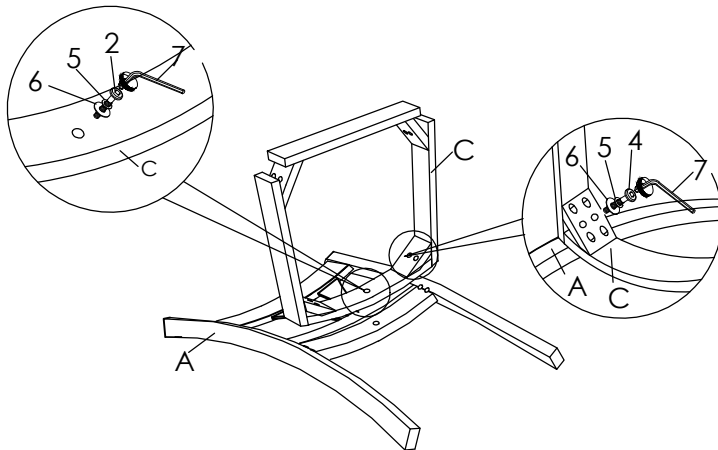
1. We recommend that you should assemble this product with the assistance of another person ; this will make assembly easier, and will help to eliminate damage to the product or injury to persons during assembly.
2. Be sure to check all packing materials carefully for small parts that may have come loose inside the carton during shipment.
3. Please do not over tighten screws or bolts.
4. Please put all parts on a non - abrasive floor before assembly. and follow the assembly step to assemble your newly purchased product correctly and efficiently .

PART LIST			
NO	PART DESCRIPTION	CODE	QTY
A	CHAIR BACK FRAME	SCWVSBFR	1
B	FRONT LEG	SCWVSLEG	2
C	BOX SEAT	SCWVSBST	1
D	WOODEN SEAT	SCWVSSEA	1

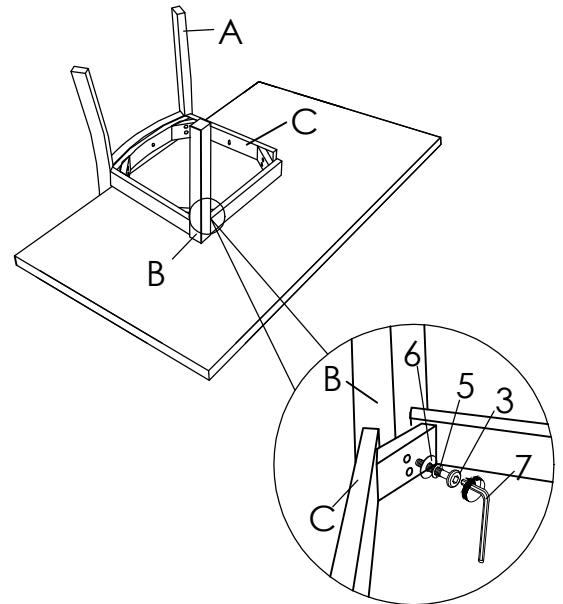
NO.	HARDWARE LIST	QTY
1	 M4 x 32mm	4
2	 M6 x 40mm	1
3	 M6 x 60mm	4
4	 M6 x 70mm	4
5	 M6	9
6	 M6 x 19MM	9
7	 M4 x 110mm BLK	1

HARDWARE LOCATED IN CHAIR BOX

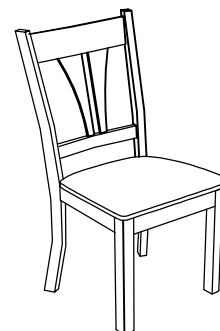
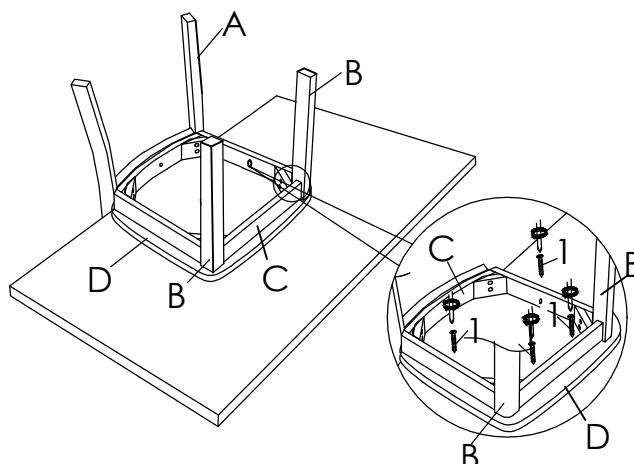
STEP 1



STEP 2



STEP 3







COMPLETE ASSEMBLY

Assembly Instructions for Dining Table

Caution : Please read instructions thoroughly before unpacking assembly parts. Sharp, exposed staple tips can cause injury, therefore, for your protection, please remove any exposed staples used in packing.

1. We recommend that you should assemble this product with the assistance of another person ; this will make assembly easier, and will help to eliminate damage to the product or injury to persons during assembly.
2. Be sure to check all packing materials carefully for small parts that may have come loose inside the carton during shipment.
3. Please do not over tighten screws or bolts.
4. Please put all parts on a non - abrasive floor before assembly. and follow the assembly step to assemble your newly purchased product correctly and efficiently .

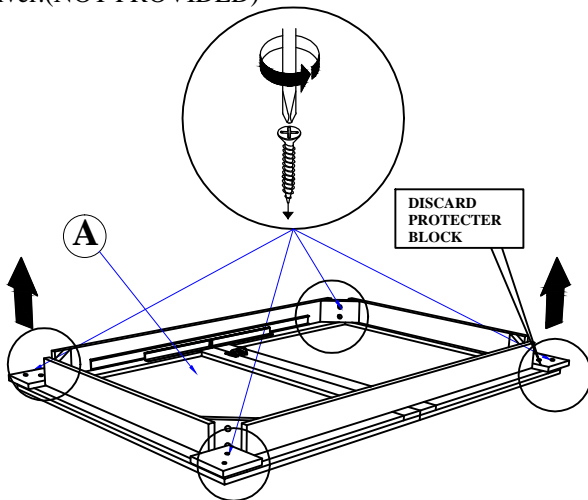
PART LIST			
NO	PART DESCRIPTION	CODE	QTY
A	TABLE HALF TOP		2
B	EXTENSION LEAF		1
C	LEG	DTLEG	4

NO.	HARDWARE LIST		QTY
1		M8 x 70mm	8
2		5/16"	8
3		5/16"IDx22mm	8
4		M5 x 65mm	1

HARDWARE LOCATED IN TABLE BOX

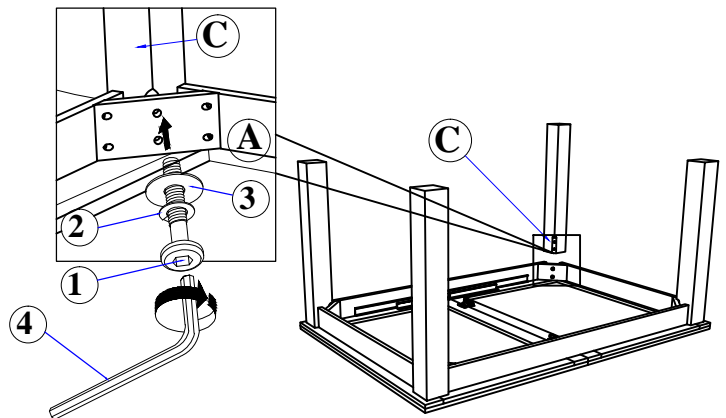
STEP 1

Remove discard wood block by loosen the screw with screw driver.(NOT PROVIDED)



STEP 2

Attach the table leg (C) to corner block table (A) with JCBB (1),Spring washer (2) and Flat washer (3) by using Allen Key (4). Repeat the same steps to fix the other three table legs.



STEP 3

- 1) Unlock the cam lock underneath the table top (A) by rotating the lock handle all the way the "off" marking on the cam locks and pull the table top wide open equally from both ends. Insert extension leaf (B) to center table and attach to location pin as shown.
- 2) Push the Table Top (A) from both ends to close and lock the cam lock underneath the table top by rotating the lock handle all the way to the "on" marking.

